

DESCRIPTION

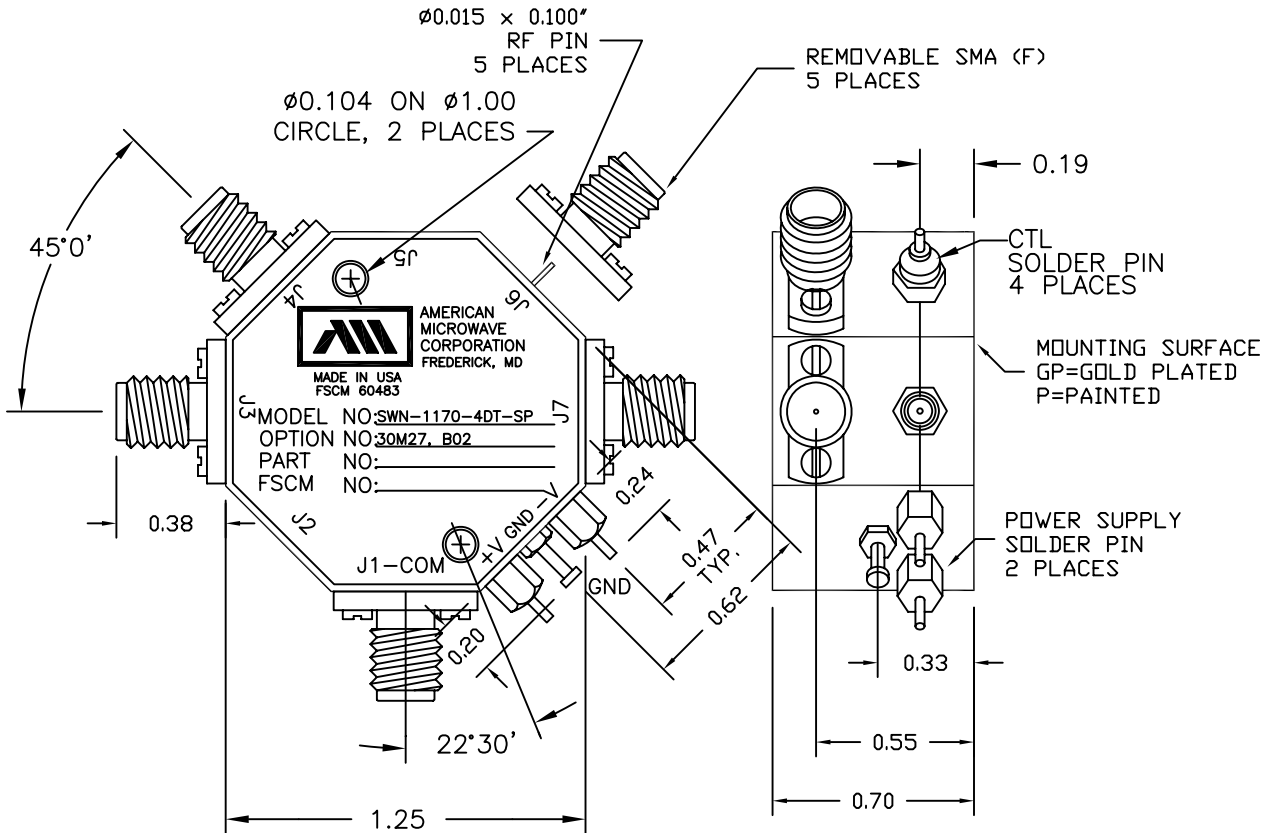
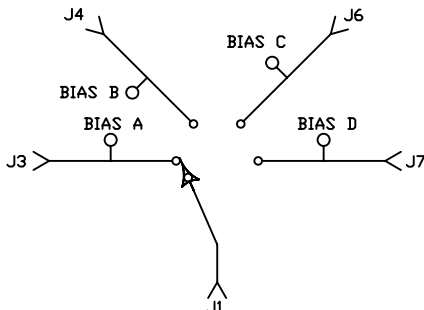
AMC MODEL SWN-1170-4DT-SP OPTIONS 30M27, B02 IS A SINGLE POLE FOUR THROW, NON-REFLECTIVE/ABSORPTIVE SWITCH MODULE WITH HIGH ISOLATION, LOW LOSS, HIGH SPEED, AND WITH INTEGRAL TTL DRIVER, DESIGNED FOR BROAD BAND OPERATIONS.

SPECIFICATIONS:

- FREQUENCY: 0.03 GHz TO 27 GHz
- INSERTION LOSS: 6.5 dB MAXIMUM
- ISOLATION: 50 dB MINIMUM
- VSWR: ABSORPTIVE IN/OUT: 2.2:1
 ABSORPTIVE OUT/OFF: 2.2:1
- SPEED: RISE: 10ns TYPICAL, 15ns MAX.
 FALL: 10ns TYPICAL, 15ns MAX.
 DELAY ON: 75ns TYPICAL, 100ns MAX.
 DELAY OFF: 75ns TYPICAL, 100ns MAX.
- POWER INPUT: (CW)+20dBm (STANDARD), +10 dBm (HIGH SPEED)
- SURVIVAL POWER: 1 WATT CW, 10 WATTS PEAK 1 usec
- CONTROL: TTL LOGIC "0"=ON "1"=OFF
- POWER SUPPLY: +5V @ 200 mA MAX.
 -15V @ 100mA MAX.
- SIZE: 1.25" (L) x 1.25" (W) x 0.70" (H)
- WEIGHT: 1.5 oz.

REVISIONS				
ZONE	REV.	DESCRIPTION	DATE	APPROVED
	-	ORIGINAL RELEASE, JOB# 312230	1/16/04	

BLOCK DIAGRAM



ENVIRONMENTAL RATINGS:

- TEMPERATURE: -55°C TO +85°C (OPERATING)
 -65°C TO +125°C (STORAGE)
- HUMIDITY: MIL-STD-202F, METHOD 103B COND. B
- SHOCK: MIL-STD-202F, METHOD 213B COND. B
- VIBRATION: MIL-STD-202F, METHOD 204D COND. B
- ALTITUDE: MIL-STD-202F, METHOD 105C COND. B
- TEMPERATURE CYCLE: MIL-STD-202F, METHOD 107D COND. A

NOTE: SPECIFICATIONS WILL VARY OVER OPERATING TEMPERATURE
 NOTE: THE ABOVE SPECIFICATIONS ARE SUBJECT TO CHANGE OR REVISION

ALL DIMENSIONS ARE IN INCHES
 TOLERANCES:
 X.XX ±0.020
 X.XXX ±0.010

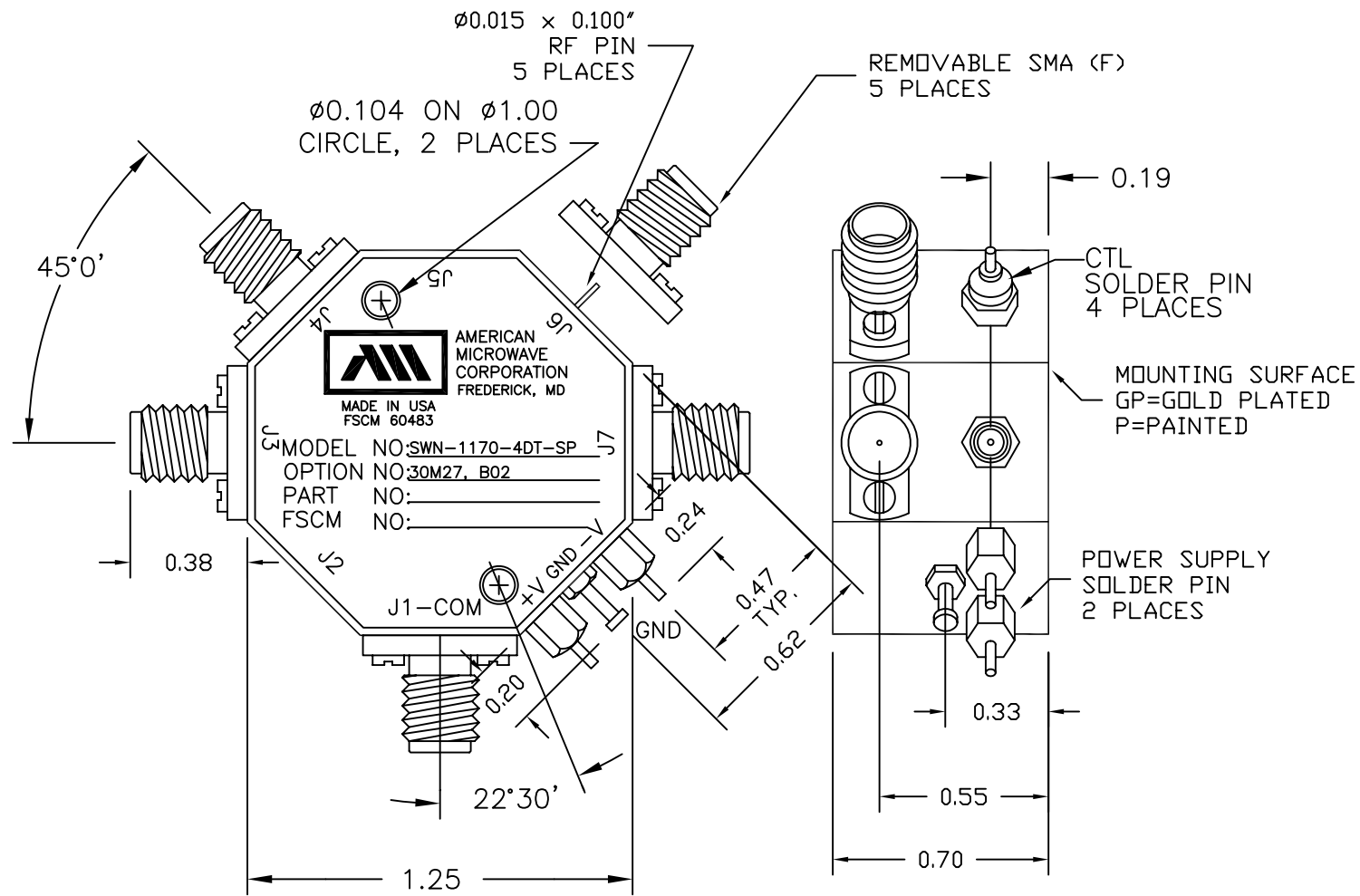
APPROVALS		DATE	AMERICAN MICROWAVE CORPORATION FREDERICK, MARYLAND		
DRAWN	<i>EFE</i>	1/16/04	TITLE PRODUCT FEATURE SWN-1170-4DT-SP OPTIONS 30M27, B02 0.03 TO 27 GHz SINGLE POLE FOUR THROW SWITCH		
REDRAWN	<i>JDJ</i>	8/10/04	SIZE	FSCM NO.	DWG NO.
ISSUED			A	60483	100-6910
			SCALE	N/S	SHEET 1 of 3

DESCRIPTION

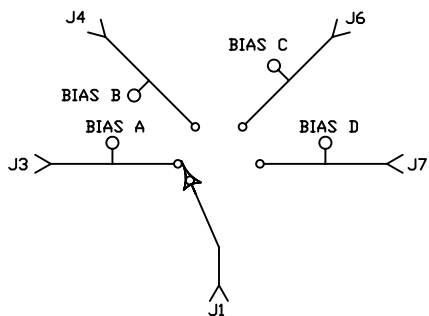
AMC MODEL SWN-1170-4DR-STANDARD OPTIONS 0418, PAM IS A SINGLE POLE FOUR THROW, REFLECTIVE SWITCH MODULE WITH HIGH ISOLATION, LOW LOSS, HIGH SPEED, AND WITH INTEGRAL TTL DRIVER, DESIGNED FOR BROAD BAND OPERATIONS.

REVISIONS				
ZONE	REV.	DESCRIPTION	DATE	APPROVED
	-	ORIGINAL RELEASE, JOB# 312230	1/16/04	

MECHANICAL OUTLINE



BLOCK DIAGRAM



ALL DIMENSIONS ARE IN INCHES
 TOLERANCES:
 X.XX ± 0.020
 X.XXX ± 0.010

APPROVALS		DATE	AMERICAN MICROWAVE CORPORATION FREDERICK, MARYLAND		
DRAWN	<i>EJE</i>	1/16/04	TITLE OUTLINE DRAWING SWN-1170-4DT-SP OPTIONS 30M27, B02 0.03 TO 27 GHz SINGLE POLE FOUR THROW SWITCH		
REDRAWN	<i>JDJ</i>	8/10/04	SIZE	FSCM NO.	DWG NO.
ISSUED			A	60483	100-6910
			SCALE	N/S	SHEET 2 of 3